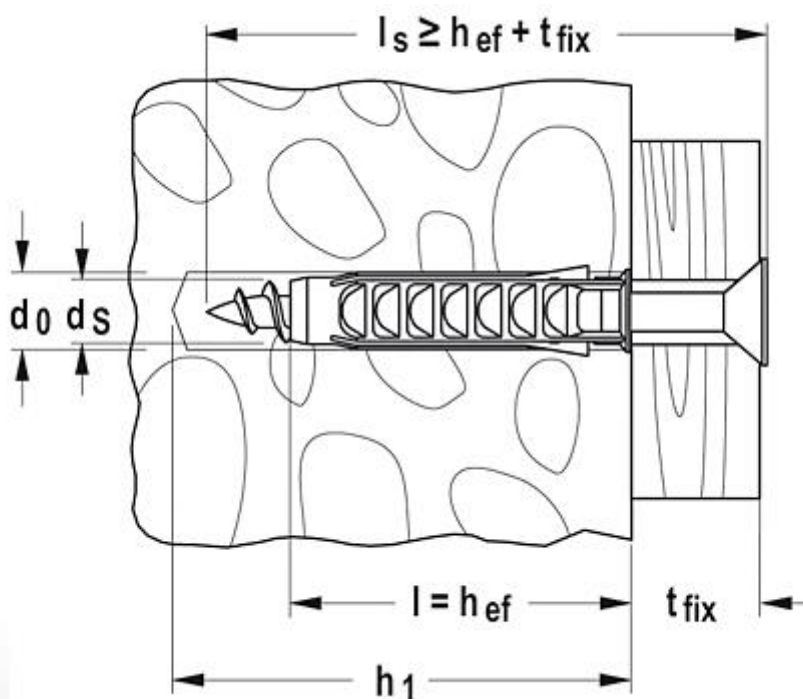


# Дюбел с опорен пръстен, к-кт с винт/PZ SX ф 10 x 50 мм, SK NV, блистер



Drill hole diameter	$d_0$	10	[mm]
Min. drill hole depth	$h_1$	70	[mm]
Anchor length	$l$	50	[mm]
Screw	$d_s \times l_s$	7 x 65	[mm]
Effect. anchorage depth	$h_{ef}$	50	[mm]
Drive		SW 12	
Card contents		5 x SX 10 x 50, 5 x hexagon-head screw 7 x 65	
Sales unit		10	[pcs]
GTIN (EAN Code)		4006209908952	